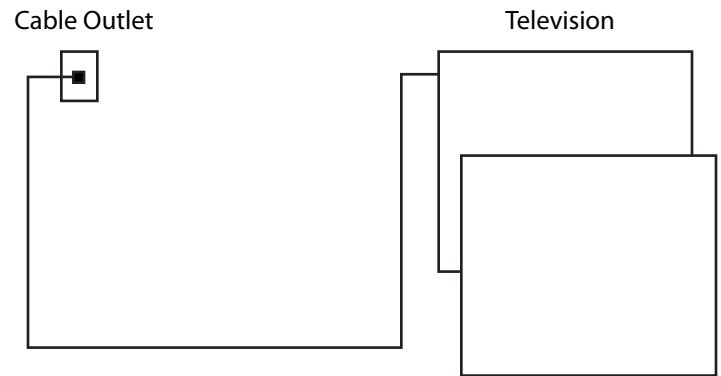


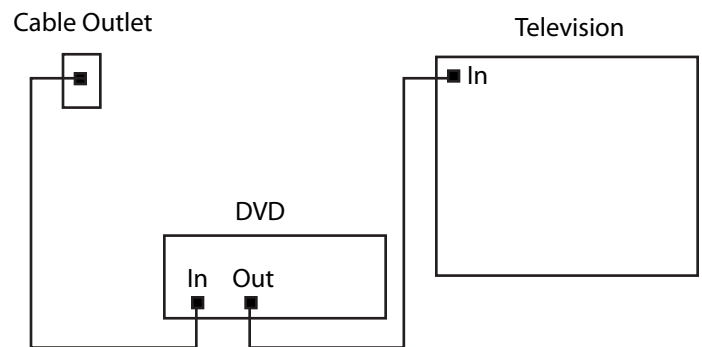
## How to connect the cable to your TV

1. Connect cable wire as shown in diagram to the right.
2. Switch TV to CATV (usually found in menu), then select auto-program.



## How to connect a DVD Player to your TV

1. Connect cable wire as shown in diagram to the right.
2. Switch TV and VCR to CATV (usually found in menu), then select auto-program.



General Inquires: 1-800-472-2054  
Sales: 239-481-3718  
[www.collegecable.com](http://www.collegecable.com)